



ALACRON

Fast4 PMC Mezzanine Board

One of Alacron's recent additions to its FastSeries family, based on Philips' TriMedia processor, is Fast4 PMC daughter-card that lets you add extra TM-1302 processors to your FastImage PCI board or FastDSP PCI board.



The Future of
Image Acquisition
and Processing

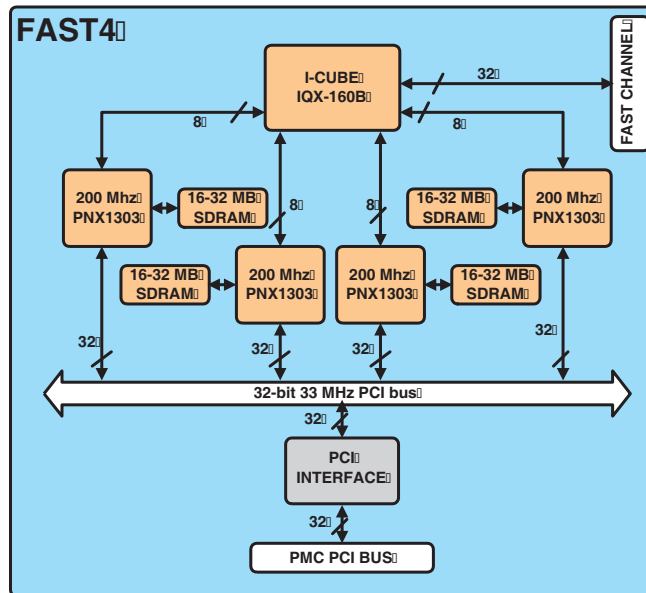
Fast4 PMC Mezzanine Key Features:

- Up to four TriMedia TM-1302 processors, each having 8-16 MB SDRAM at 572 MB/sec.
- 32-bit side-band bus in P4 connector to facilitate fast data transfers to and from the FastSeries crossbar
- 32-bit, 33 MHz PCI interface
- PMC form factor
- Fast Channel
 - 80 MHz 32 bit persistent channels in 4 bit increments for intra- and interboard communication
 - Point to Point connections at up to 320 MB/s via cross bar interconnect
 - Data traffic does not affect host CPU or PCI bus
 - Digital, 32 data bits with control and clock
 - 32 bidirectional interboard communications links





Fast4 PMC Mezzanine Board



SPECIFICATIONS

PMC INTERFACE

- Clock Rate - 33MHz max
- Data Width - 32 bits
- Peak DMA Rate - 132 MB/sec
- Standards Compliance - PCI Rev. 2.1

